

Flat and Curved Glass Electric Fireplace Operating and Installation Instructions



This manual is for use with

**Furrion FF26S15A-BL
Flat Glass Electric Fireplace**

**Furrion FF26C15A-BL
Curved Glass Electric Fireplace**

Welcome

Furrion® FF26S15A-BL Flat Glass Electric Fireplace

Furrion® FF26C15A-BL Curved Glass Electric Fireplace

Thank you for purchasing a Furrion® FF26S15A-BL Flat Glass Electric Fireplace/
Furrion® FF26C15A-BL Curved Glass Electric Fireplace.

SUITABLE FOR DOMESTIC HOUSEHOLD USE, RV's & MODULAR HOMES

Before installation and use, please read all instructions carefully. This will ensure safe use and reduce the risk of injury .

[More Info](#)

Contents

IMPORTANT SAFETY INSTRUCTIONS	3-5
Installation	6-8
Operation	9-10
Troubleshooting	11-12
Care and maintenance	13
Warranty	14

IMPORTANT SAFETY INSTRUCTIONS

PLEASE READ ALL OF THE INFORMATION IN THIS OPERATING MANUAL, INCLUDING ALL SAFETY, OPERATING, AND MAINTENANCE INFORMATION. TO AVOID THE POTENTIAL RISK OF FIRE, ELECTRIC SHOCK, OR INJURY TO PERSONS, USERS SHOULD FOLLOW THE DIRECTIONS AND WARNINGS IN THIS MANUAL.

1. Read all instructions before using this fireplace.
2. Do not use this fireplace outdoors.
3. This fireplace is not intended for use in bathrooms, laundry areas or similar indoor locations. Never position the fireplace where it may fall into a bathtub or other water container.
4. Do not run the power cord under carpeting. Do not cover the power cord with throw rugs, runners, or the like. Arrange the power cord away from high traffic areas or where it may be tripped over.
5. To disconnect the fireplace, turn controls to off, then remove the plug from the outlet.
6. Connect to properly grounded outlets only. Always plug fireplaces directly into a wall outlet/receptacle. Never use with an extension cord or reloadable power tap (outlet/power strip).
7. To prevent a possible fire, do not block the fireplace's air intakes or the exhaust in any manner. Do not operate the fireplace on soft surfaces such as a bed where the openings may become blocked.
8. There is a thermostat protective device inside the fireplace. When the inner temperature exceeds a predefined level or abnormal heating occurs, the thermostat protective device cuts off the power supply to avoid damage to the fireplace or risk of fire.

9. Use this fireplace only as described in this manual. Any other use is not recommended by the manufacturer and may cause fire, electrical shock, or injury.

SAVE THESE INSTRUCTIONS



WARNING: This fireplace is hot when in use. To avoid burns, do not let bare skin touch hot surfaces. If provided, use handles when moving this fireplace.



WARNING: Extreme caution is necessary when any fireplace is used by or near children or invalids and whenever the fireplace is left operating and unattended.



WARNING: Do not operate any fireplace with a damaged cord or plug or after the fireplace malfunctions or has been dropped or damaged in any manner. Return the fireplace to an authorized service facility for examination, electrical or mechanical adjustment, or repair.



WARNING: Do not insert or allow foreign objects into the ventilation or exhaust openings as this may cause an electric shock, fire, or damage the fireplace.

⚠️ IMPORTANT SAFETY INSTRUCTIONS

⚠️ WARNING: The fireplace contains hot and potentially flammable components. Do not use in areas where gasoline, paint, or other flammable liquids are used or stored.

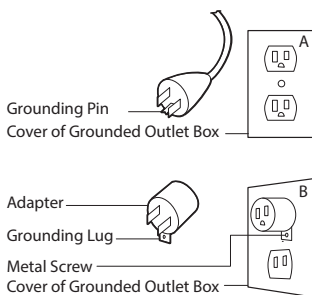
⚠️ CAUTION: While in use, the top center of the fireplace can become hot to the touch and may cause serious injury or burns. Always supervise small children around the fireplace. Do not place any cloth, decorations, or otherwise obstruct the fireplace outlet as this may cause a fire and serious injury may result.

GROUNDING INSTRUCTIONS

⚠️ DANGER: Improper connection of the equipment-grounding conductor can result in a risk of electric shock. Check with a qualified electrician if you are in doubt as to whether the product is properly grounded. Do not modify the plug provided with the product. If it will not fit the outlet, have a proper outlet installed by a qualified electrician.

This product must be grounded. If it should malfunction or breakdown, proper grounding provides a path of least resistance for electric current to flow and reduces the risk of electric shock. This product is equipped with a cord having an equipment-grounding conductor and a grounding plug. The plug must be inserted into an appropriate outlet that is properly installed and grounded in accordance with all local codes and ordinances.

This fireplace is for use on 120 volt circuits and has a grounded plug. An adapter is available for connecting three-blade grounding type plugs to two-slot receptacles. The green grounding lug extending from the adapter must be connected to a permanent ground such as a properly grounded outlet box. The adapter should not be used if a three-slot grounded receptacle is available.



IMPORTANT SAFETY INSTRUCTIONS

FCC STATEMENT

This equipment has been tested and found to comply with the limits for a Class B digital device, pursuant to Part 15 of the FCC Rules.

These limits are designed to provide reasonable protection against harmful interference in a residential installation. This equipment generates, uses, and can radiate radio frequency energy and, if not installed and used in accordance with the instructions, may cause harmful interference to radio communications. However, there is no guarantee that interference will not occur in a particular installation.

This device complies with Part 15 of the FCC Rules. Operation is subject to the following two conditions:

- (1) This device may not cause harmful interference, and
- (2) This device must accept any interference received, including interference that may cause undesired operation.

Modifications not approved by the party responsible for compliance could void user's authority to operate the equipment.

This Class B digital apparatus complies with Canadian ICES-006.

Installation

IMPORTANT: Failure to install the built-in electric fireplace as instructed below may result in damage to the equipment and or may expose the user to the risk of fire, serious injury, illness or death.

First Time Use

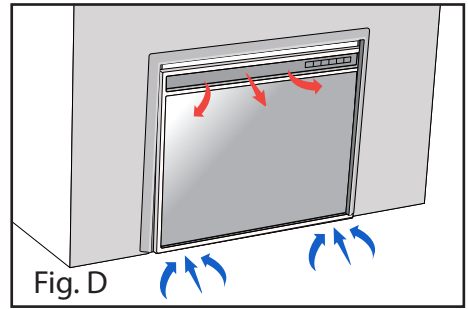
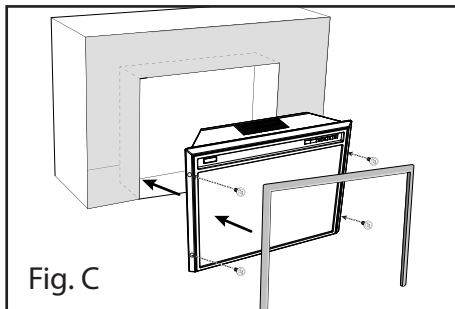
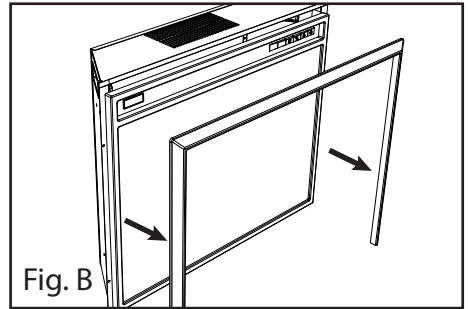
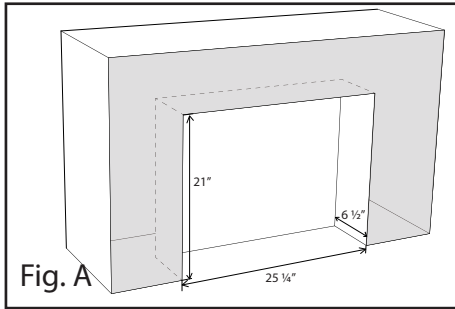
Remove the marketing sticker from the front glass.



Installation

Wall-mount Installation

1. Select a suitable location that is not susceptible to moisture.
2. Mark and cut an opening in the cabinet according to the dimensions outlined in the illustration below. (Fig. A)
3. Ensure the cabinet area is free of dust and debris, remove fireplace carefully from carton and discard the plastic and foam packaging.
4. The trim kit for the unit is attached by magnet, pull to remove. (Fig. B)
5. Install the fireplace into the cut out area and secure with 4 mounting screws supplied. (Fig. C) For your safety, it is recommended to apply the top 2 screws first.
6. Re-attach the trim kit to the fireplace.
7. Do not block the ventilation areas. (Fig. D)



Installation

Residential Installation

CAUTION: When installing this fireplace in residential applications, ensure to leave 3 feet minimum from any object.

RV Installation

WARNING: When installing this fireplace in RV applications, ensure hot air will not directly blow onto soft furnishings or combustible materials during operation. For fireplace installation in RV slide out wall, we recommend you connect the slide out safety cut off wires to the slide out 12V DC activation system. This system will prevent operation while traveling and in storage mode. Do not operate the fireplace when slide out is in the stowed position.

NOTE: This fireplace is fitted with a proximity sensor and thermal cutoff your safety. When fireplace is in operation and objects are placed within 6 inches or less the fireplace will automatically shut off and a red LED will flash. Remove the object and cycle the fireplace power switch to reset. Check for interference from other electrical product remotes that may affect fireplace operations.

Do not install the fireplace insert directly on carpet or similar surfaces which may restrict airflow.

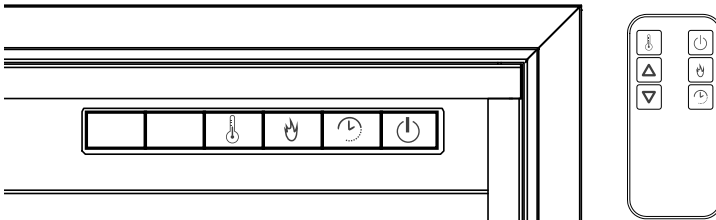
CAUTION: If installing the fireplace in a carpeted area, place a one-piece solid, flat surface under the fireplace.

CAUTION: Clearance for air circulation is located on top of the fireplace. Ensure this gap is free from obstruction.

Product Specifications

Rating voltage	120Vac 60Hz
AMPS	12.5A
WATTS	1500W

Control Panel











Warning: This electric fireplace must be properly installed before it is used.



Note: The element retains heat after shut down. There is a built-in cool down period of 30 seconds before the blower shuts off completely.

Note: To operate correctly, the remote control must be pointed toward the glass window view.

Operation

Function	Icon	Description
POWER		Turn on or turn off the fireplace.
Flame		Select one of four brightness levels.
Fireplace		<ol style="list-style-type: none"> 1. Press once to activate the low heat setting. 2. Press the button a second time to activate the high heat setting. 3. Press the button a third time to turn off the fireplace. 4. After turning on the fireplace, press this button for 5 seconds to select the desired temperature setting. Note: pressing the power button for 5 seconds will toggle between °C and °F.
Timer		Pressing the button will cycle through the timer setting: 30 minutes to 5 hours.
Temperature down		Decrease the heat output (remote control only).
Temperature up		Increase the heat input (remote control only).
Slide Out (safety cut off)		automatically shuts off fireplace operation when power is provide to the slide out 12V DC system.
Proximity Sensor		Detect the presence of nearby objects with 3.94 - 5.91 inch. The fireplace will cut off the heating fuction automatically.

Troubleshooting

Problem	Root cause	Corrective action
Display shows "EE" 	The thermostat sensor is broken or disconnected.	Unplug the fireplace and remove the back panel. Check that the thermostat is plugged into the main circuit board. If this does not solve the problem, contact customer service for a replacement thermostat sensor.
Display shows "88" 	Manual reset overheat protection has triggered.	Inspect the fireplace and check that the air inlets and outlets are not blocked as this may cause overheating.
Fireplace does not blow warm air.	Cool down cycle	Normal operation will continue for 30 seconds before shutting down.
	Thermostat setting is preventing the fireplace from turning on.	Adjust the temperature setting to ensure that the thermostat is set higher than the current room temperature.
The RED LED is blinking constantly and the blower motor does not start.	Proximity switch cut off	Ensure there are no obstructions within a minimum distance of 6 inches from the air vents. Press the Power button to restart the fireplace.
The fireplace turns off automatically.	The slide out moves and activates the safety cut off.	Do not use the fireplace if the slide out is not in the fully extended position.

Troubleshooting

Problem	Root cause	Corrective action
Remote control is not working	Weak or defective batteries	Replace the remote batteries.
	Poor signal	Press the remote control buttons with an even motion and gentle pressure. Repeatedly pressing buttons in rapid succession may cause the remote to malfunction.
	Distance	Operate the remote at a distance less than 20 feet from the front of the fireplace. Point the remote at the control panel.

Care and Maintenance

- The fan and flame generator motors are pre-lubricated for extended bearing life and require no further lubrication. However, we recommend periodic cleaning/vacuuming of the fan/fireplace.
- Buff the trim using a soft cloth slightly dampened with a citrus oil based product (available at supermarkets and hardware stores). DO NOT use brass polish or household cleaners. These products will damage the metal trim.
- Make sure the unit is turned OFF and unplugged before cleaning the fireplace.

Warranty

FURRION WARRANTS FOR A PERIOD OF 1 YEAR FROM DATE OF RETAIL PURCHASE BY THE ORIGINAL END-USE PURCHASER, THAT THIS PRODUCT, WHEN DELIVERED TO YOU IN NEW CONDITION, IN ORIGINAL PACKAGING, FROM A FURRION AUTHORIZED RESELLER AND USED IN NORMAL CONDITIONS, IS FREE FROM ANY DEFECTS IN MANUFACTURING, MATERIALS, AND WORKMANSHIP. IN CASE OF SUCH DEFECT, FURRION SHALL REPLACE OR REPAIR THE PRODUCT AT NO CHARGE TO YOU. THIS WARRANTY DOES NOT COVER: PRODUCTS WHERE THE ORIGINAL SERIAL NUMBERS HAVE BEEN REMOVED, ALTERED OR CANNOT READILY BE DETERMINED; DAMAGE OR LOSS CAUSED BY ACCIDENT, MISUSE, ABUSE, NEGLIGENCE, PRODUCT MODIFICATION, FAILURE TO FOLLOW INSTRUCTIONS IN INSTRUCTION MANUAL, COMMERCIAL OR INDUSTRIAL USE; DAMAGE OR LOSS CAUSED TO THE DECORATIVE SURFACE OF PRODUCT; TO ANY DATA, SOFTWARE OR INFORMATION; AND NORMAL WEAR AND TEAR. THIS WARRANTY ONLY PROTECTS THE ORIGINAL END-USER (“YOU”) AND IS NOT TRANSFERABLE; ANY ATTEMPT TO TRANSFER THIS WARRANTY SHALL MAKE IT IMMEDIATELY VOID. THIS WARRANTY IS ONLY VALID IN THE COUNTRY OF PURCHASE.

THIS WARRANTY AND REMEDIES SET FORTH ABOVE ARE EXCLUSIVE AND IN LIEU OF ALL OTHER WARRANTIES, REMEDIES AND CONDITIONS, WHETHER ORAL OR WRITTEN, EXPRESS OR IMPLIED. FURRION SPECIFICALLY DISCLAIMS ANY AND ALL IMPLIED WARRANTIES, INCLUDING, WITHOUT LIMITATION, WARRANTIES OF MERCHANTABILITY AND FITNESS FOR A PARTICULAR PURPOSE. IF FURRION CANNOT LAWFULLY DISCLAIM IMPLIED WARRANTIES UNDER THIS LIMITED WARRANTY, ALL SUCH WARRANTIES, INCLUDING WARRANTIES OF MERCHANTABILITY AND FITNESS FOR A PARTICULAR PURPOSE ARE LIMITED IN DURATION TO THE DURATION OF THIS WARRANTY.

No Furrion reseller, agent, or employee is authorized to make any modification, extension, or addition to this warranty.

Warranty

FURRION IS NOT RESPONSIBLE FOR DIRECT, INDIRECT, SPECIAL, INCIDENTAL OR CONSEQUENTIAL DAMAGES RESULTING FROM ANY BREACH OF WARRANTY OR CONDITION, OR UNDER ANY OTHER LEGAL THEORY, INCLUDING BUT NOT LIMITED TO LOST PROFITS, DOWNTIME, GOODWILL, DAMAGE TO OR REPLACEMENT OF ANY EQUIPMENT OR PROPERTY, ANY COSTS OF RECOVERING, REPROGRAMMING, OR REPRODUCING ANY PROGRAM OR DATA STORED IN OR USED WITH FURRION PRODUCTS. FURRION'S TOTAL LIABILITY IS LIMITED TO THE REPAIR OR REPLACEMENT OF THIS PRODUCT PURSUANT TO THE TERMS OF THIS WARRANTY.

SOME STATES DO NOT ALLOW THE EXCLUSION OR LIMITATION OF INCIDENTAL OR CONSEQUENTIAL DAMAGES OR EXCLUSIONS OR LIMITATIONS ON THE DURATION OF IMPLIED WARRANTIES OR CONDITIONS, SO THE ABOVE LIMITATIONS OR EXCLUSIONS MAY NOT APPLY TO YOU. THIS WARRANTY GIVES YOU SPECIFIC LEGAL RIGHTS, AND YOU MAY ALSO HAVE OTHER RIGHTS THAT VARY BY STATE OR (WHERE APPLICABLE IN THE COUNTRIES WHERE FURRION HAS NON-US/CANADIAN AUTHORIZED DEALERS) COUNTRY. NO ACTION OR CLAIM TO ENFORCE THIS WARRANTY SHALL BE COMMENCED AFTER THE EXPIRATION OF THE WARRANTY PERIOD.